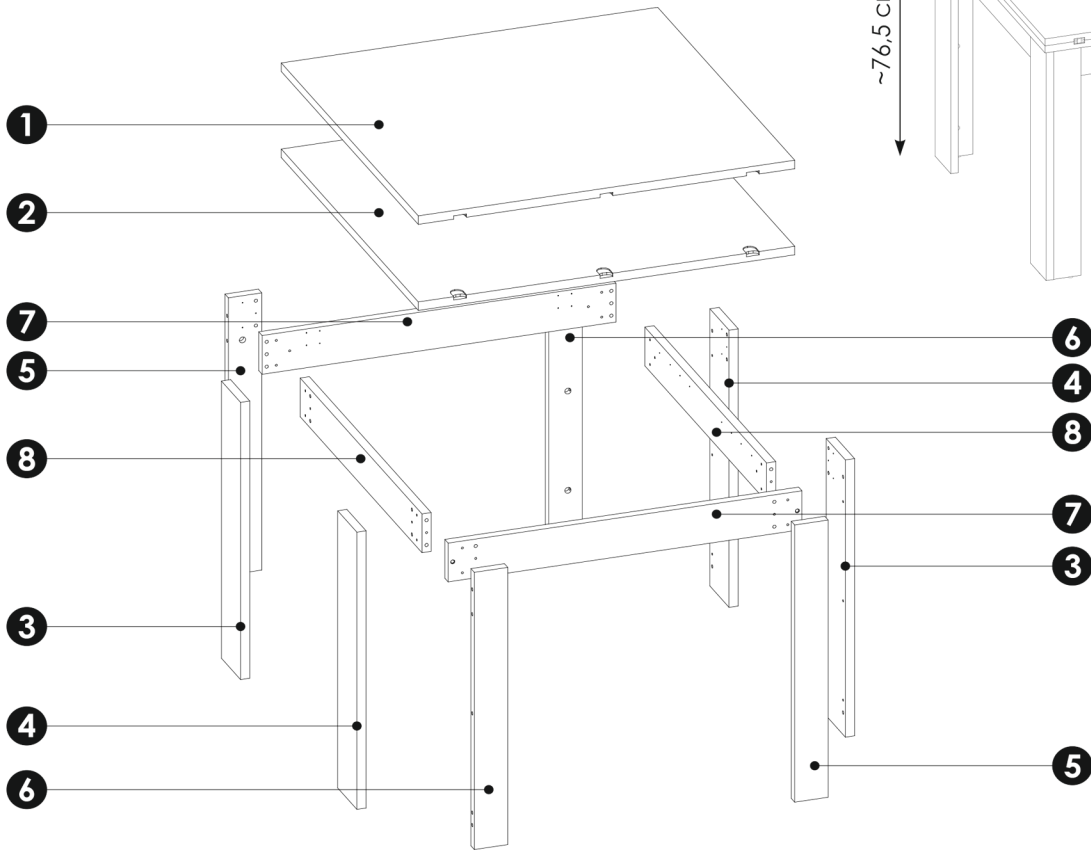
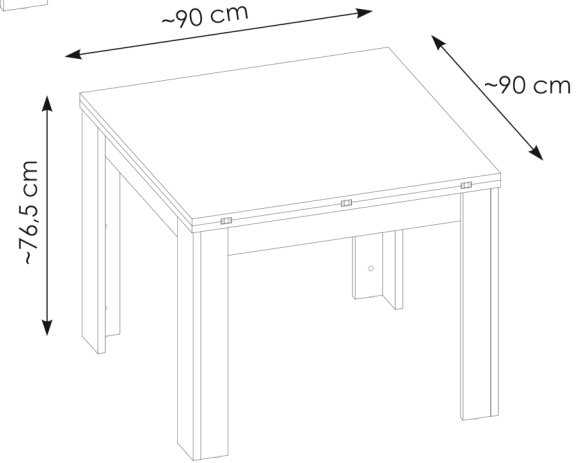
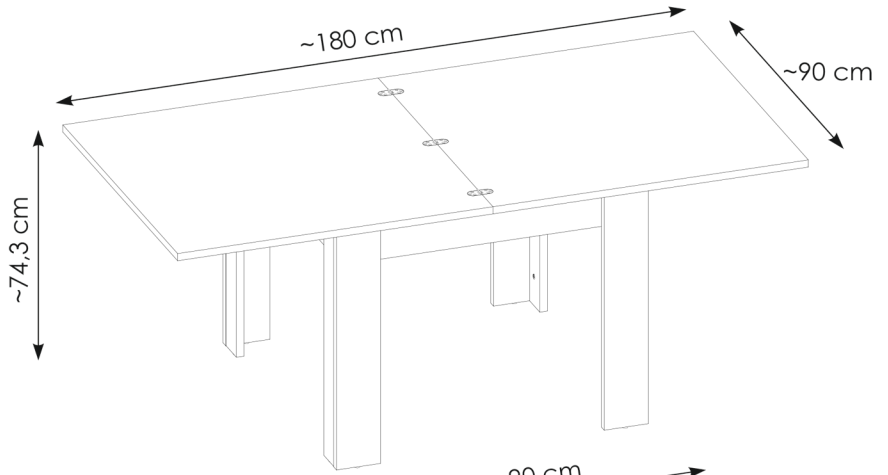
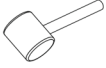
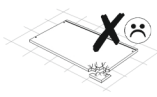
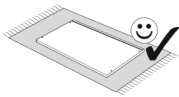


SHELDON 76

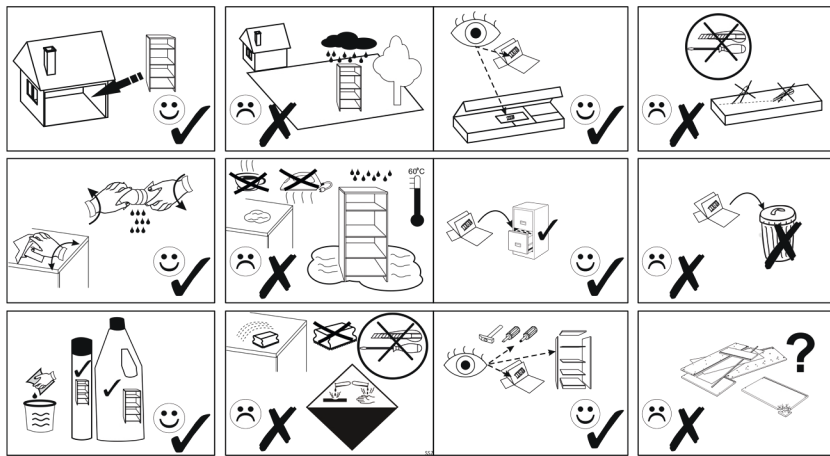


60 min

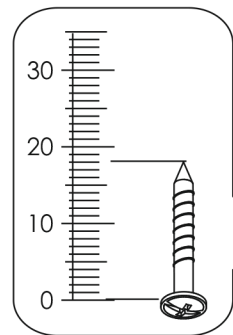
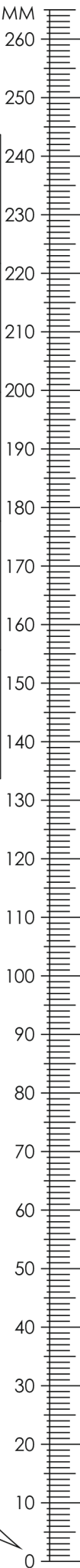


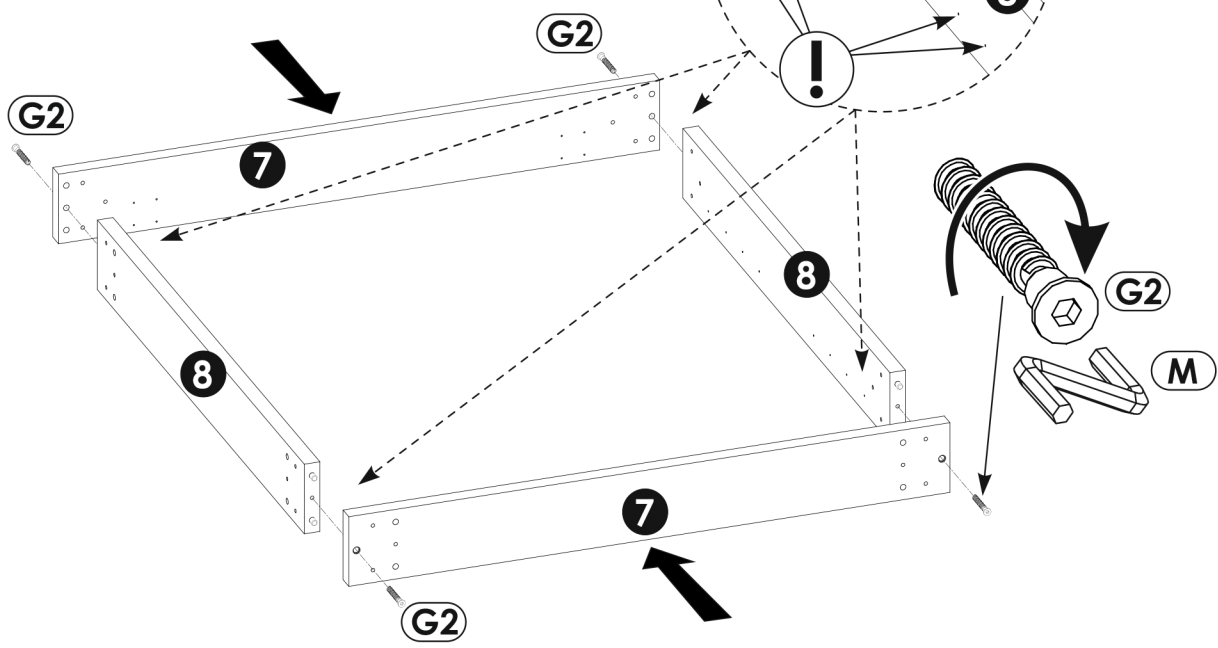
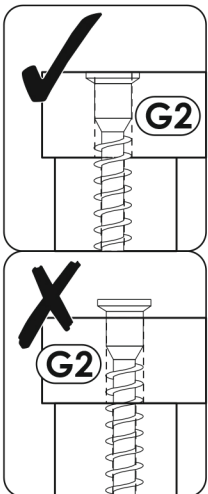
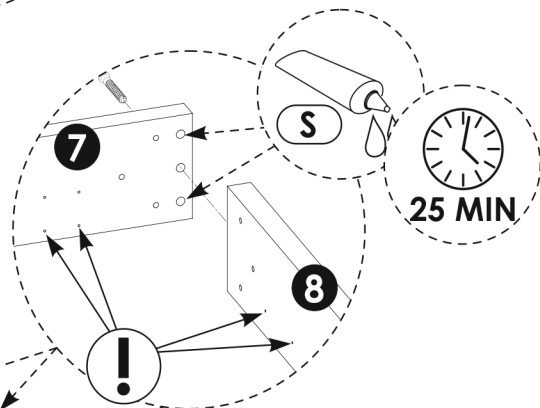
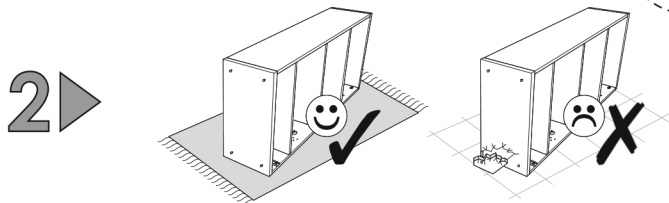
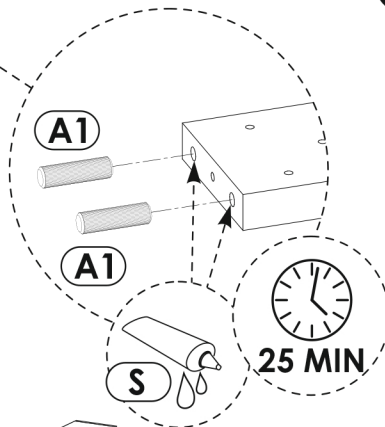
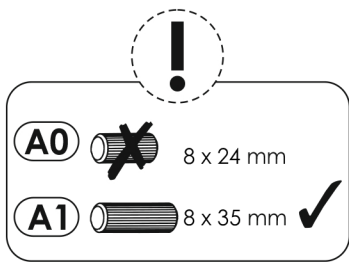
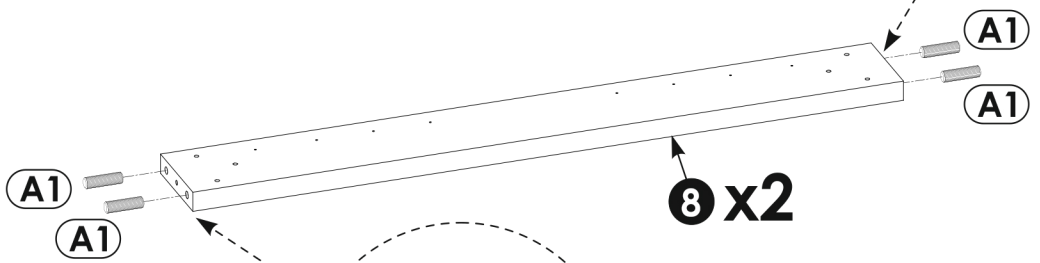
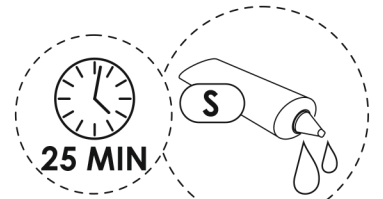
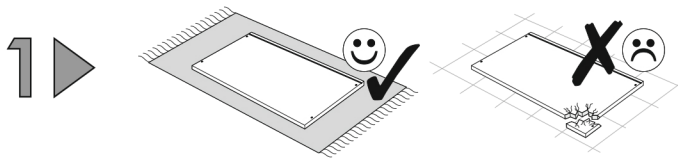
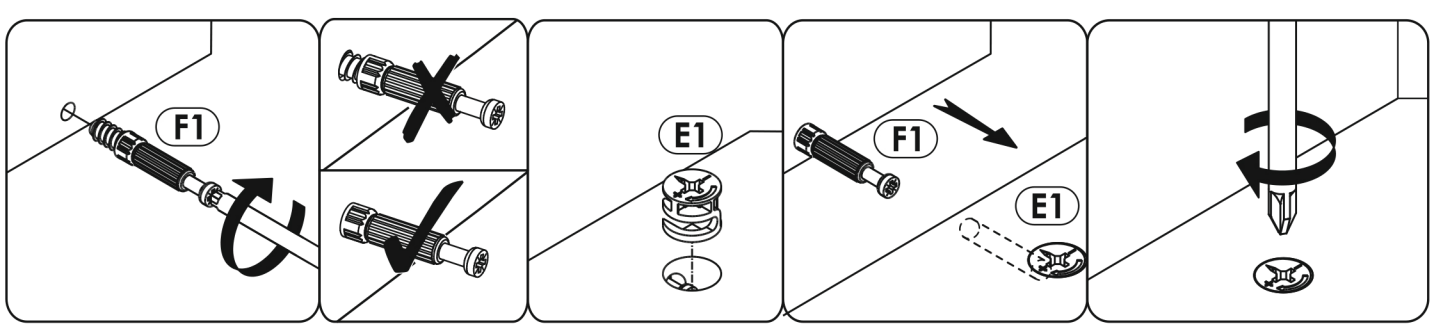
1	900	900	22	x1	2/2
2	900	900	22	x1	2/2
3	715	126	22	x2	1/2
4	715	126	22	x2	1/2

5	715	80	22	x2	1/2
6	715	80	22	x2	1/2
7	846	100	22	x2	1/2
8	800	100	22	x2	1/2

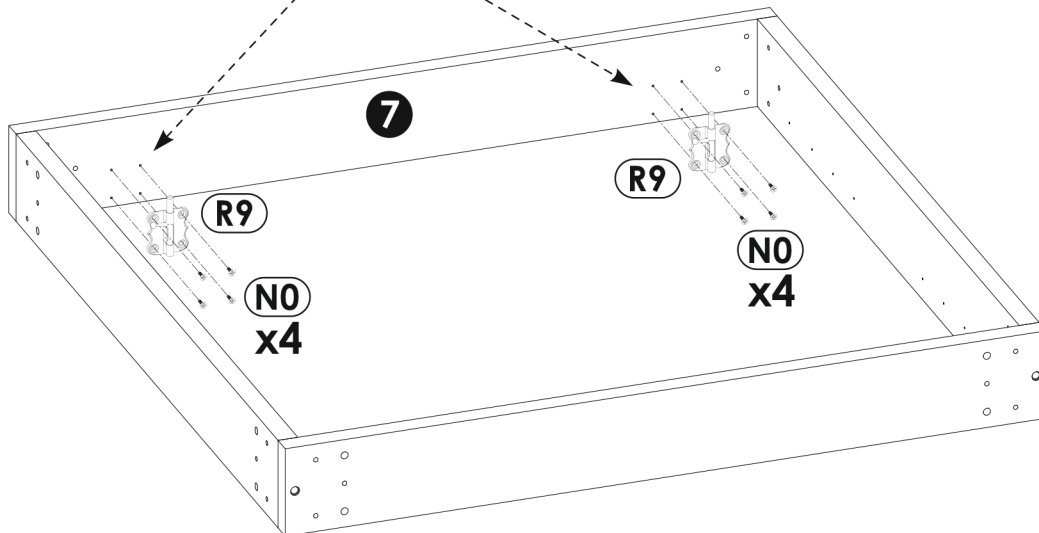
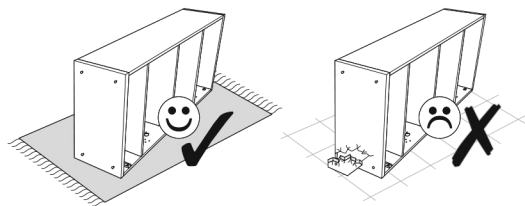
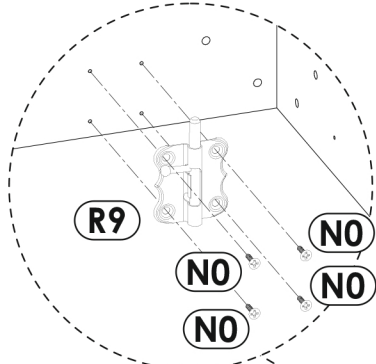


A0	8 x 24 mm	x16	A1	8 x 35 mm	x16	BK		x3
E1	15 x 12 mm	x12	E0		x12	F1	6 x 34 mm	x12
G2	7 x 60 mm	x4	I2	4 x 16 mm	x26	I15	4 x 40 mm	x24
M		x1	N0	3,5 X 13 mm	x8	N2	3,5 X 16 mm	x18
O2		x8	R9		x2	S		x1
T10	L-680	x1						

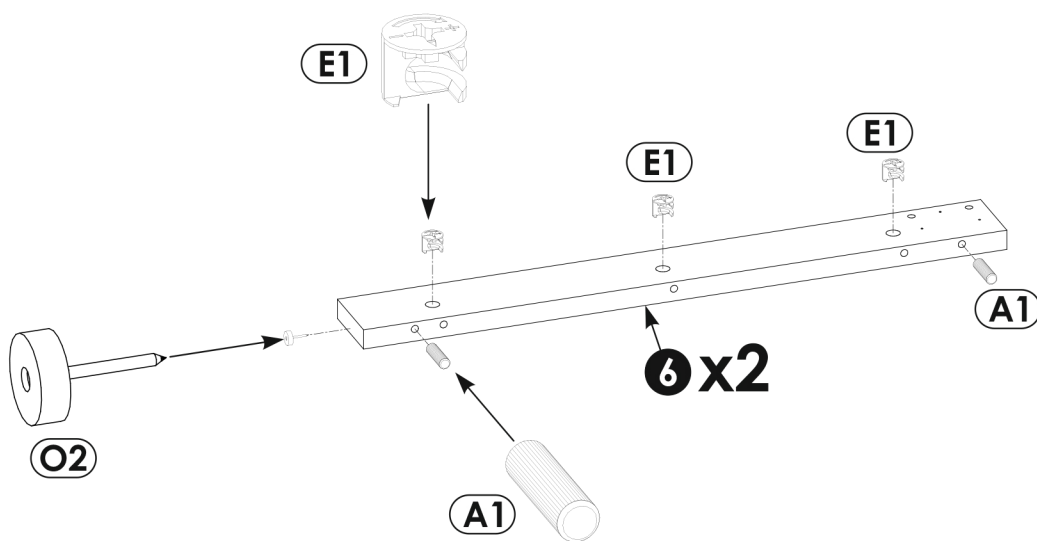
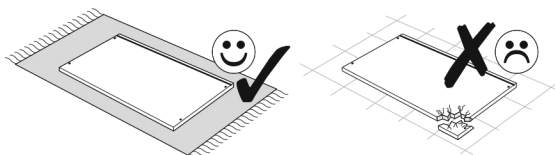





3 ▶




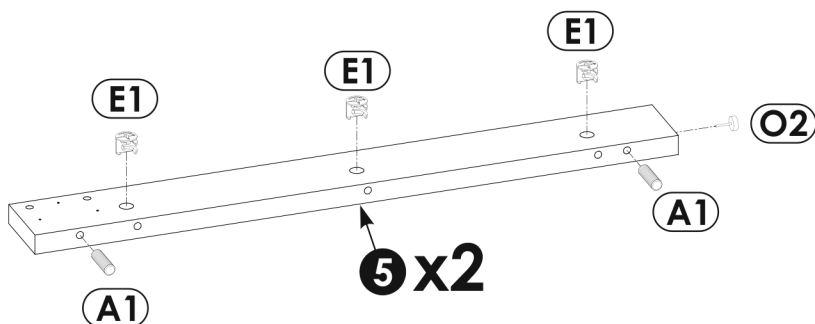
4 ▶



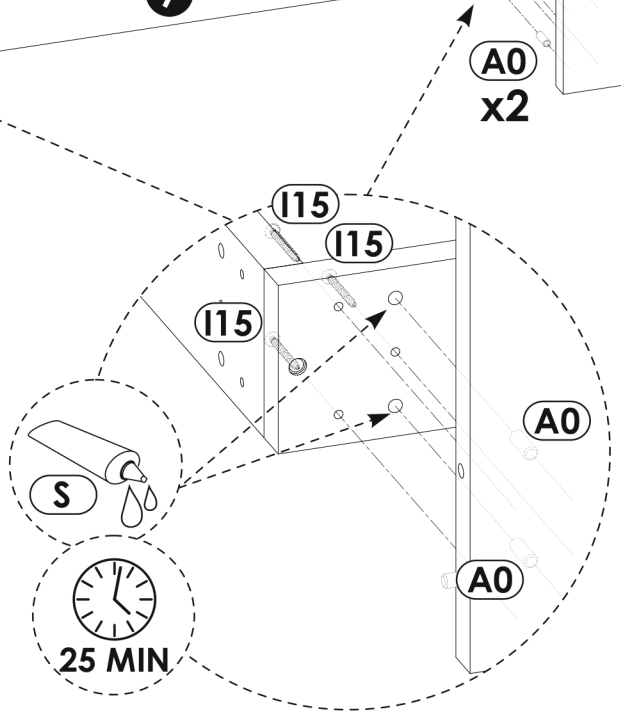
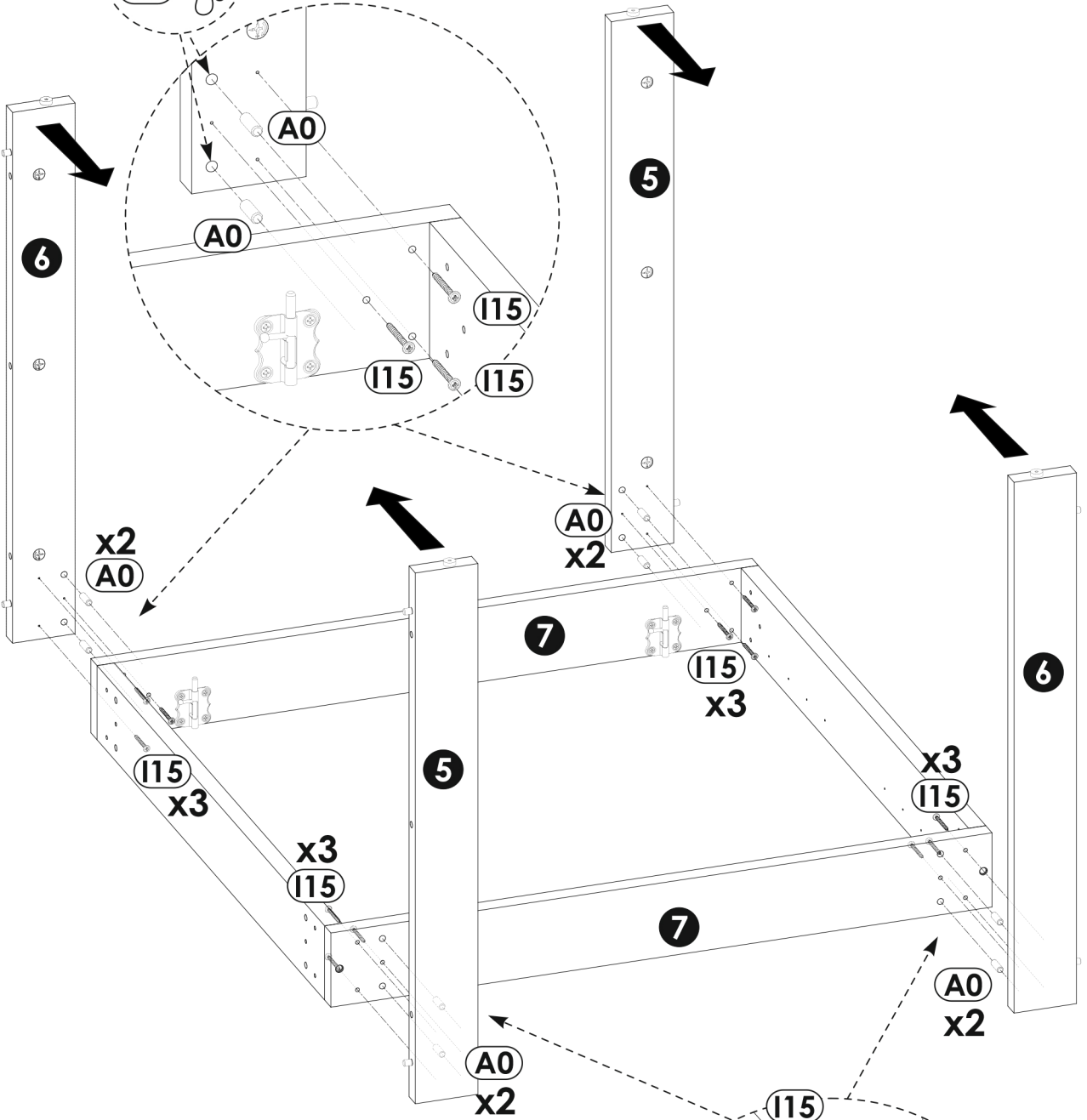
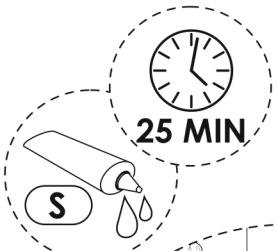
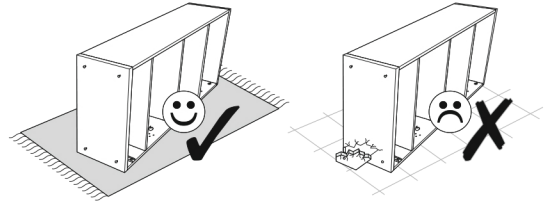
!

A0  8 x 24 mm

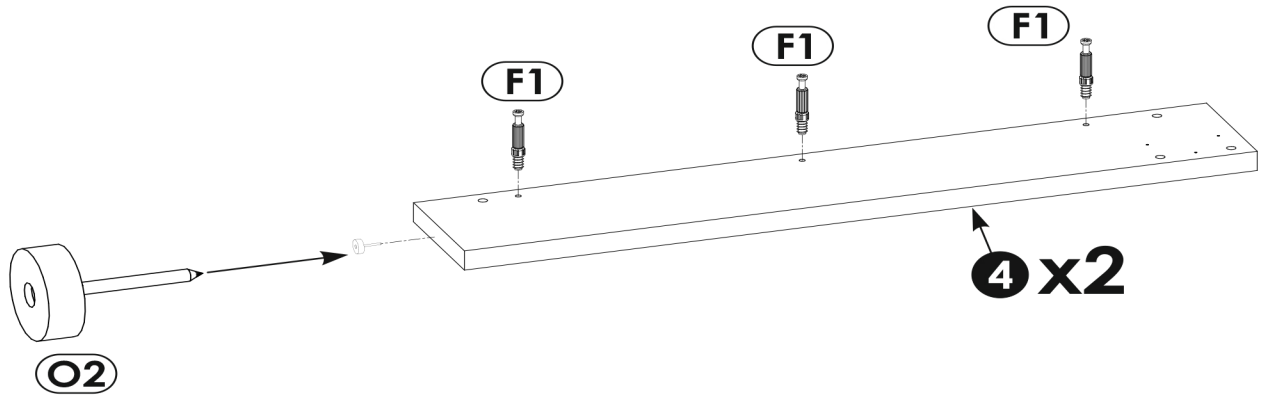
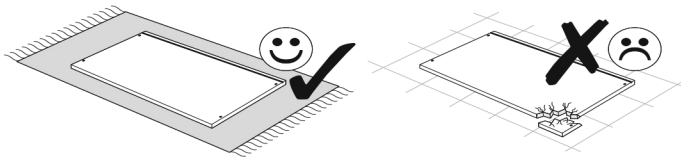
A1  8 x 35 mm ✓



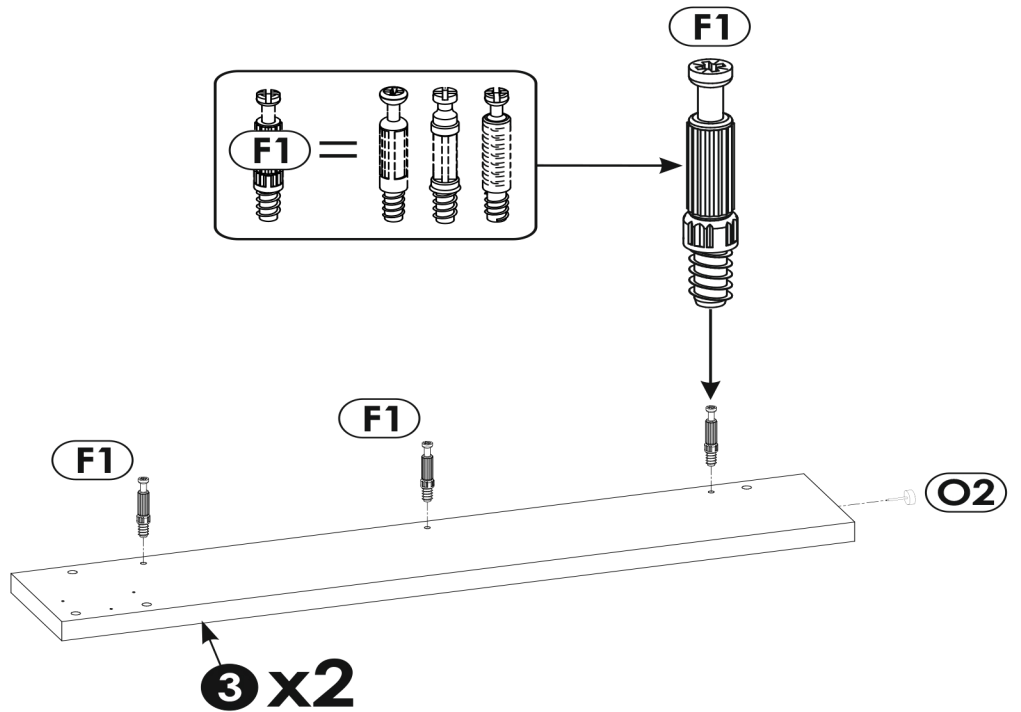
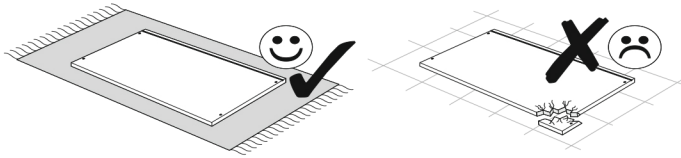
5



6 ▶



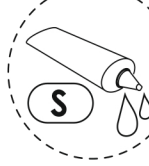
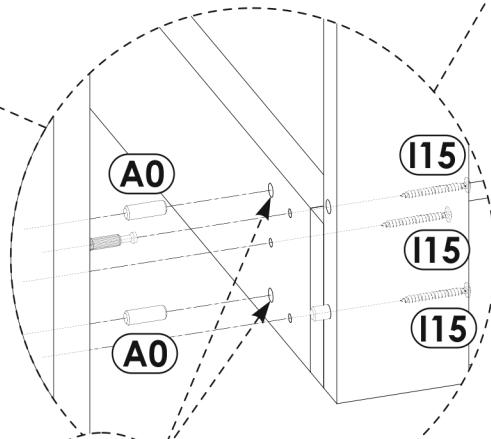
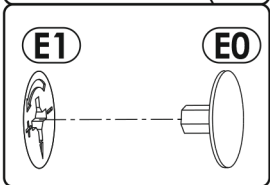
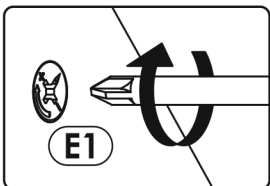
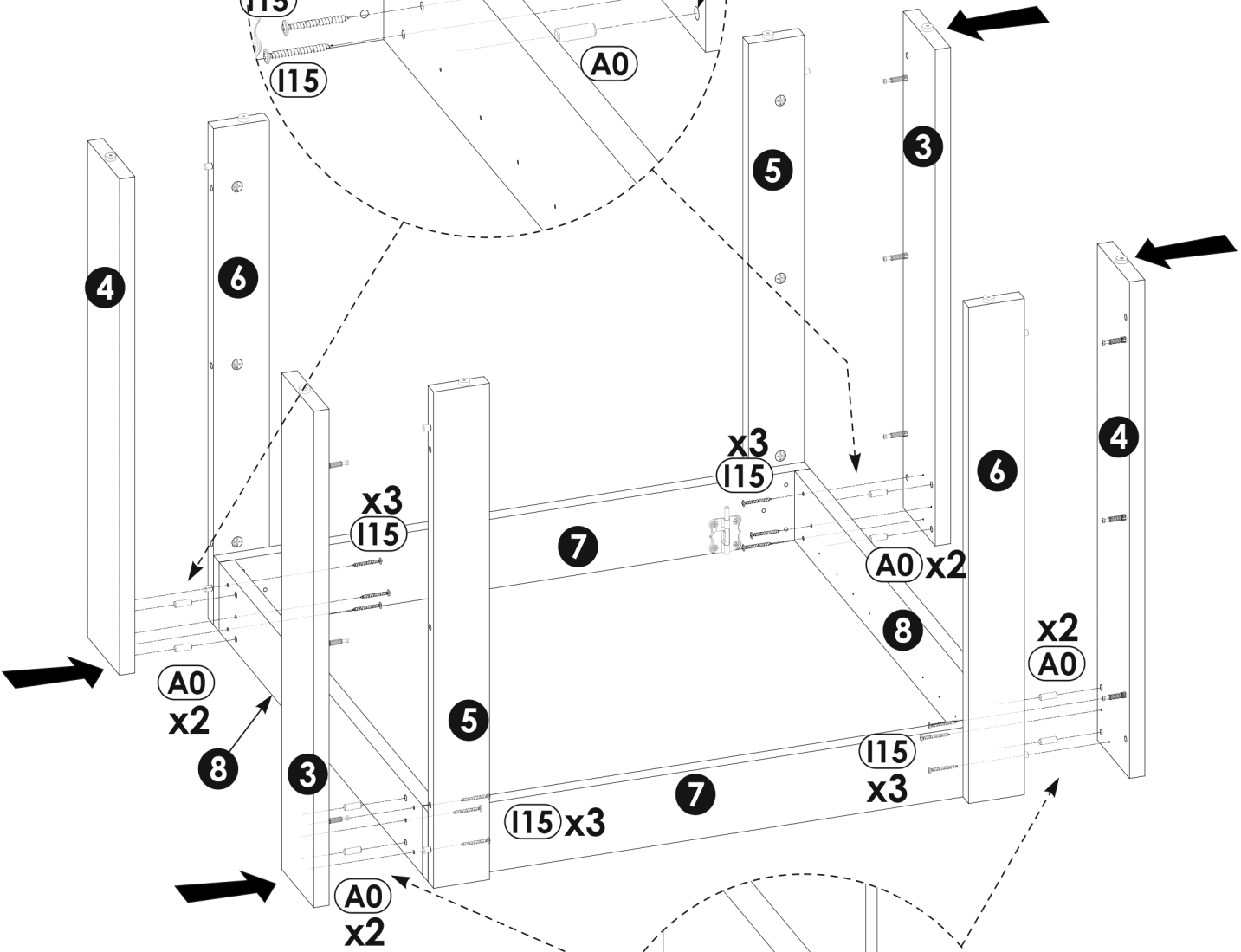
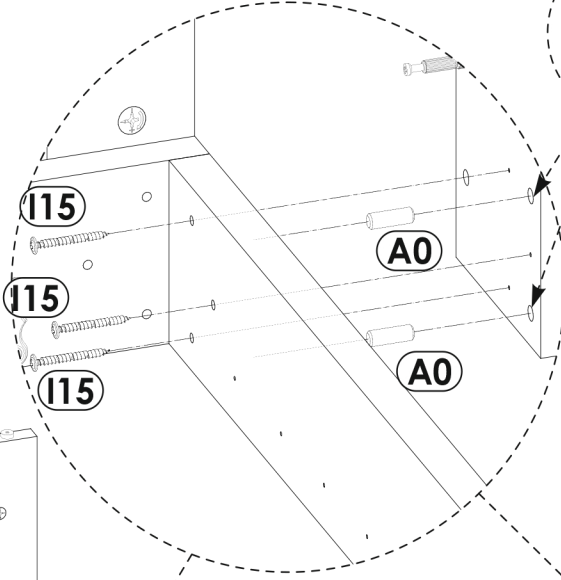
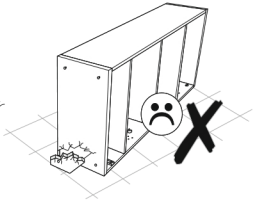
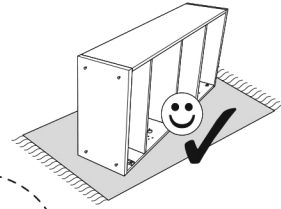
7 ▶



8 ▶

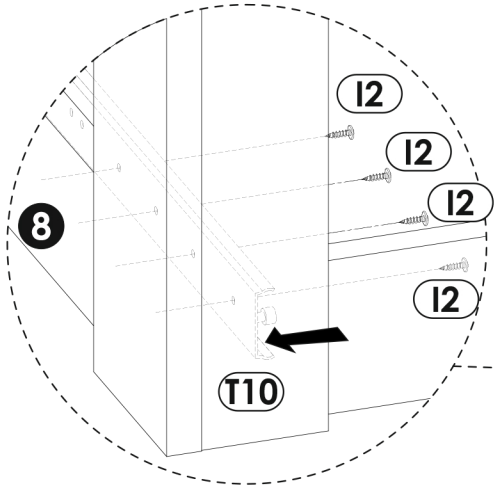
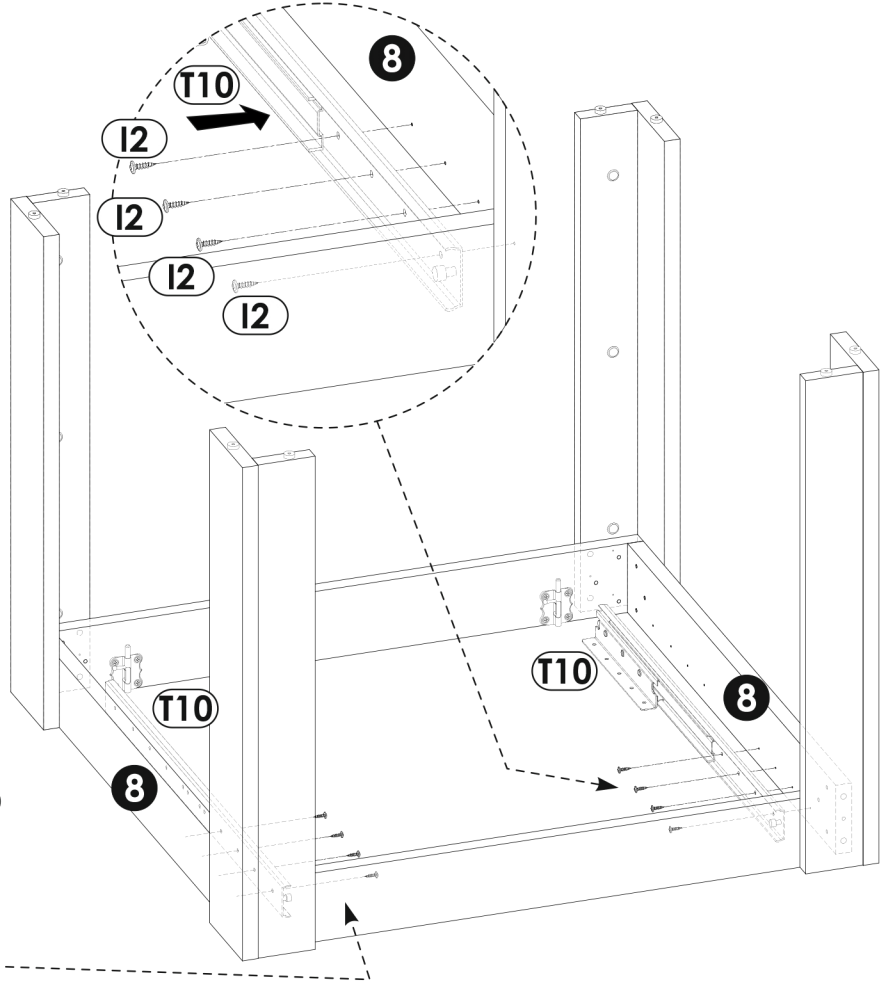
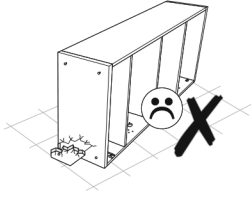
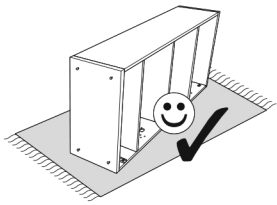


25 MIN

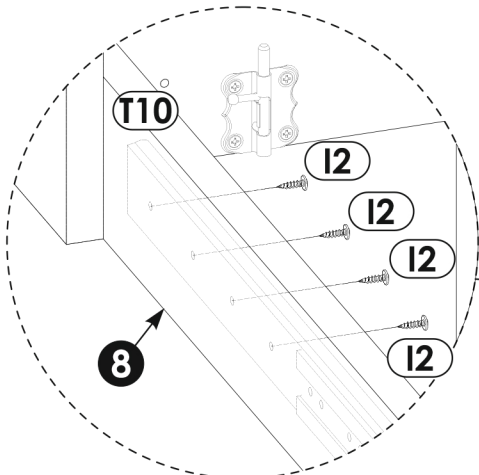
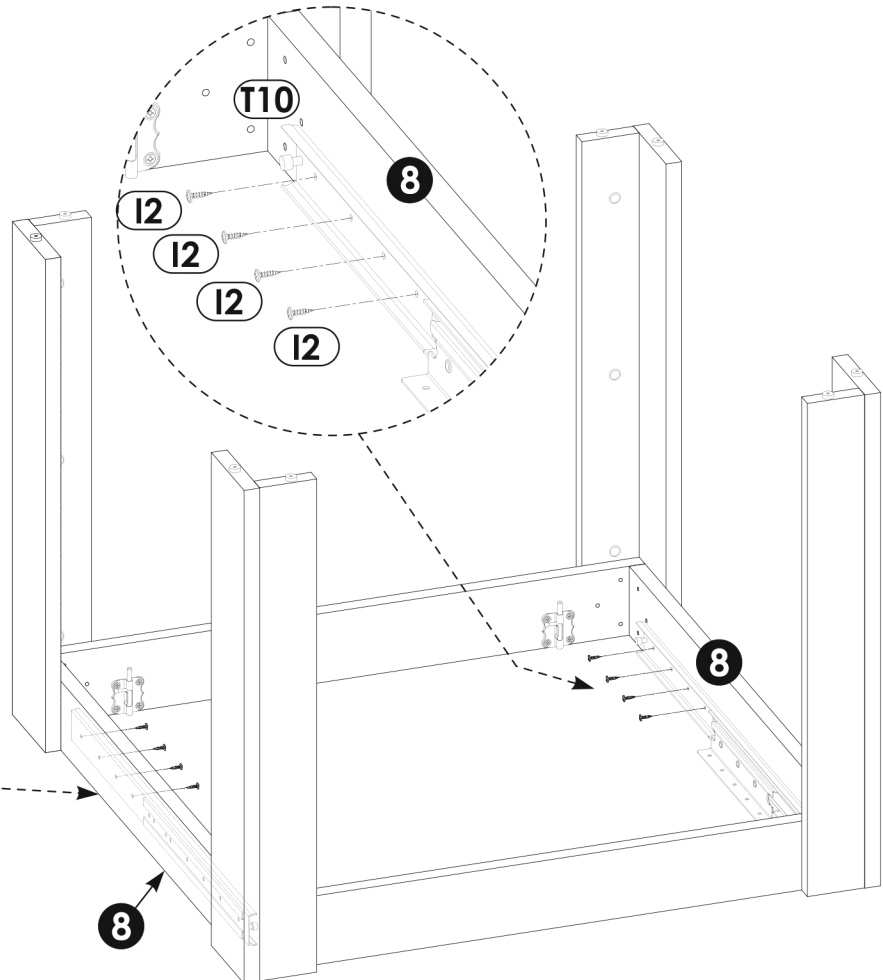
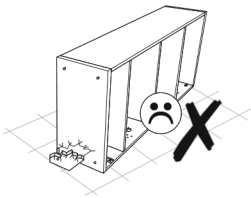
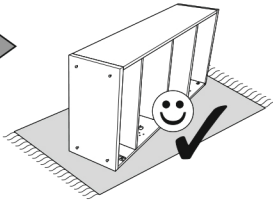


25 MIN

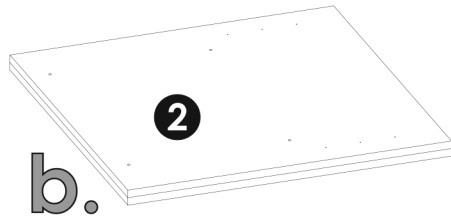
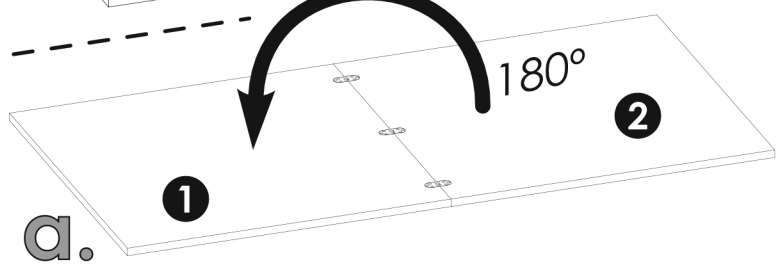
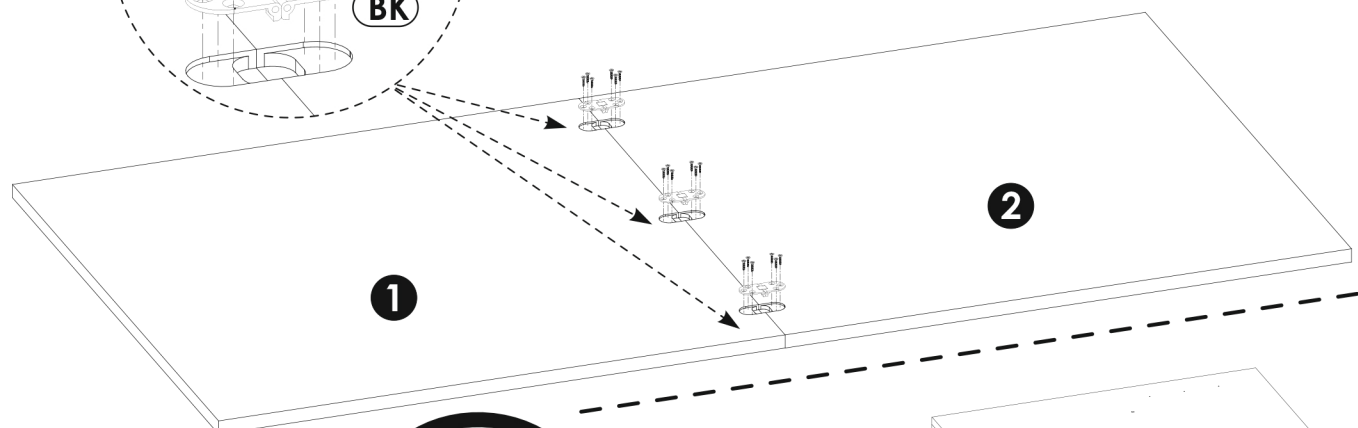
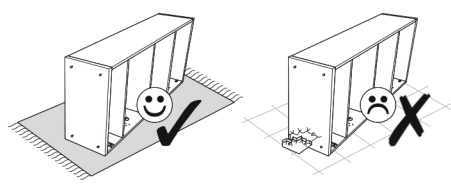
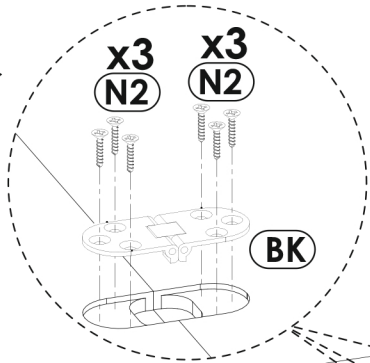
9 ▶



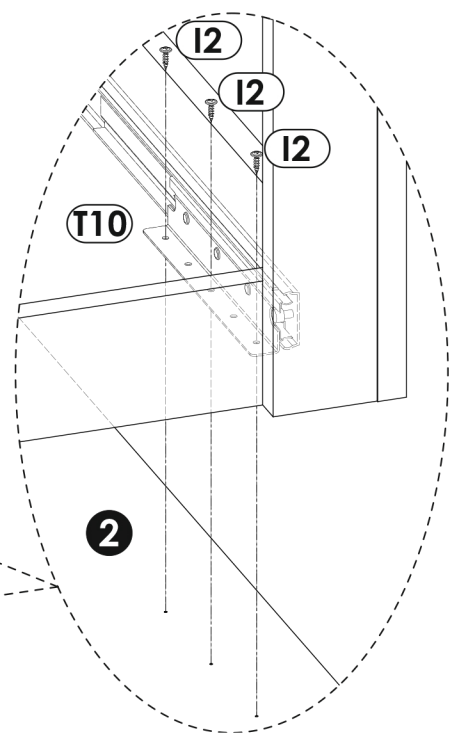
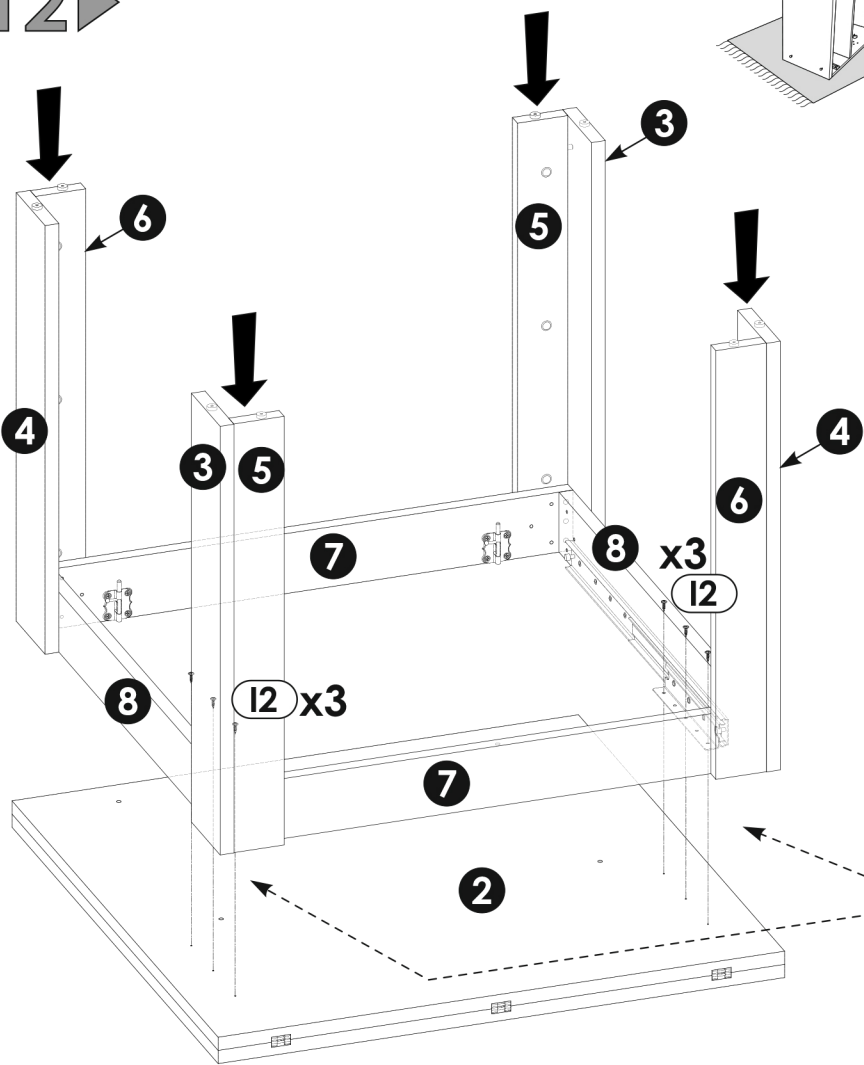
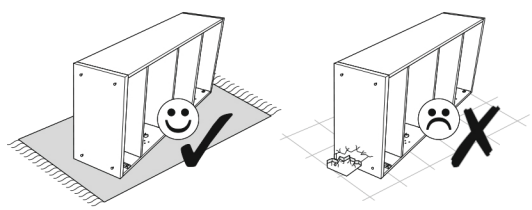
10 ▶



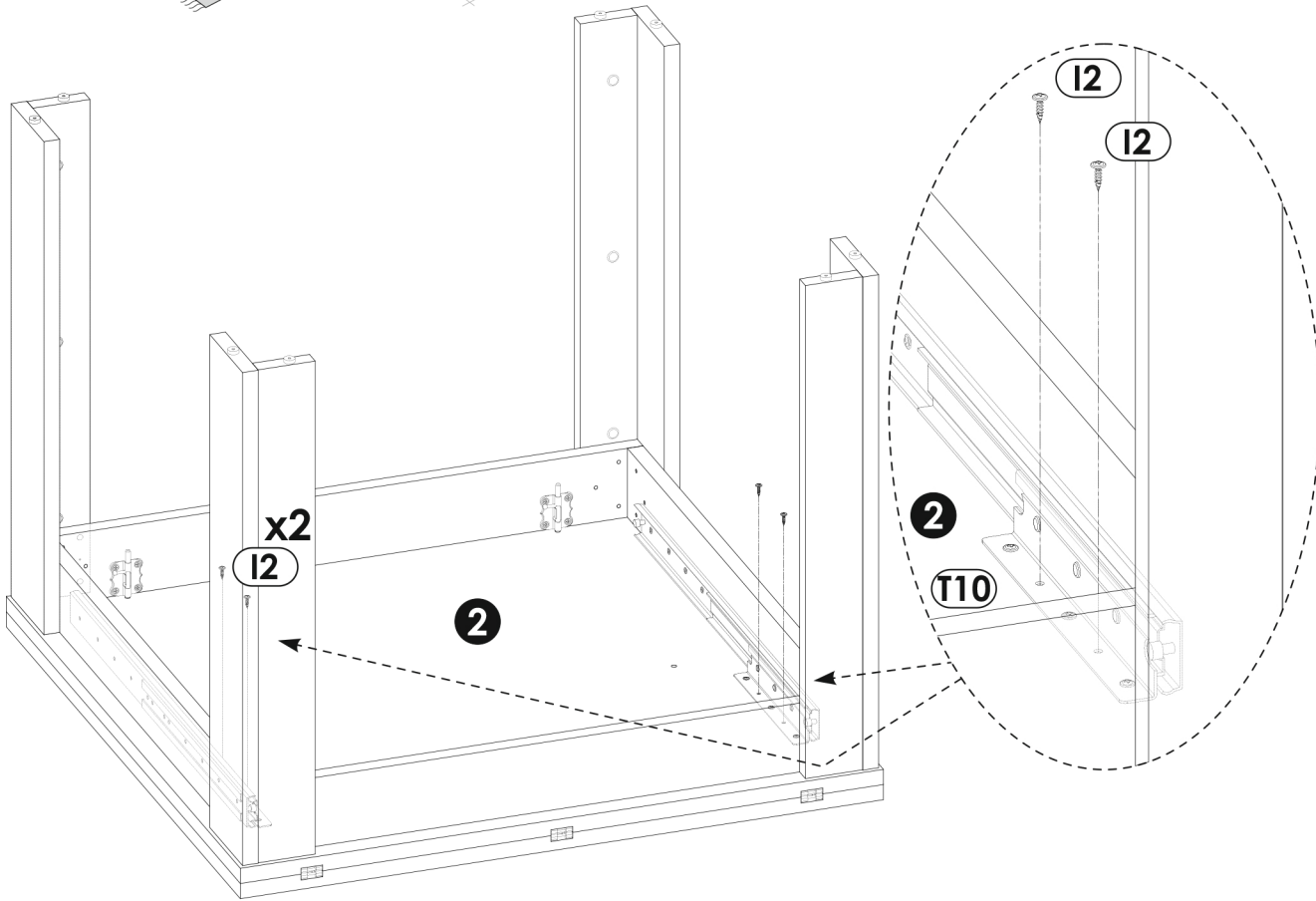
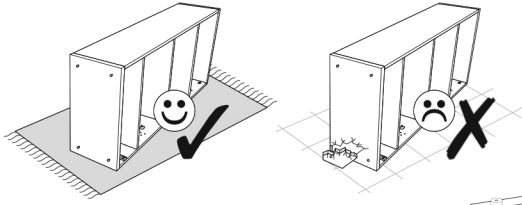
11 ▶



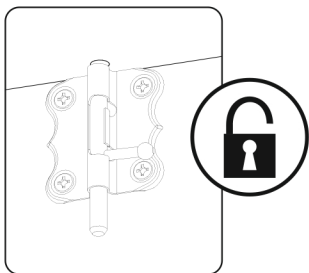
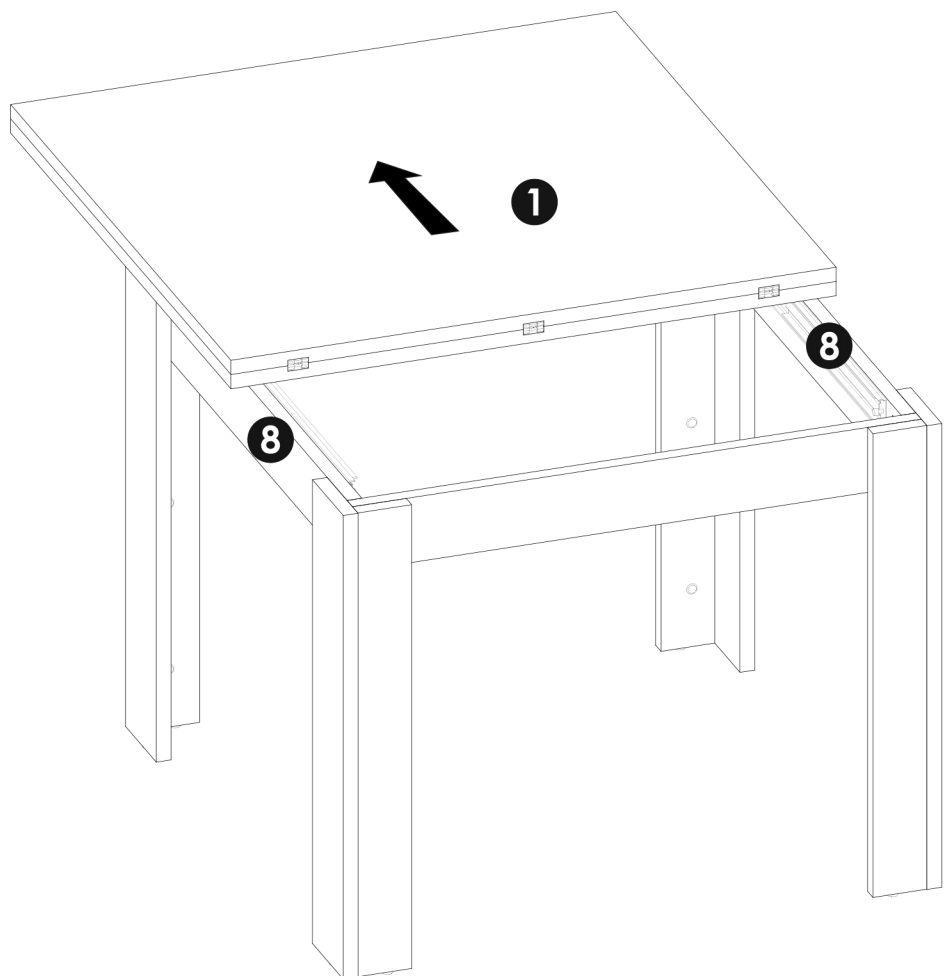
12 ▶



13 ▶



14 ▶



15 ▶

